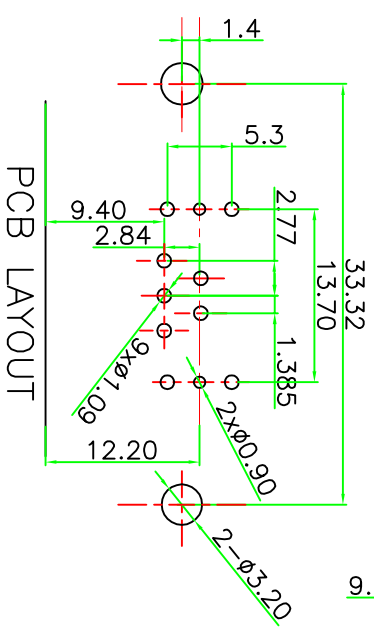
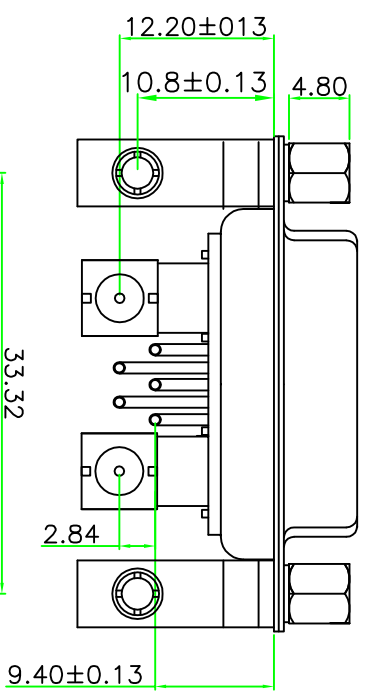
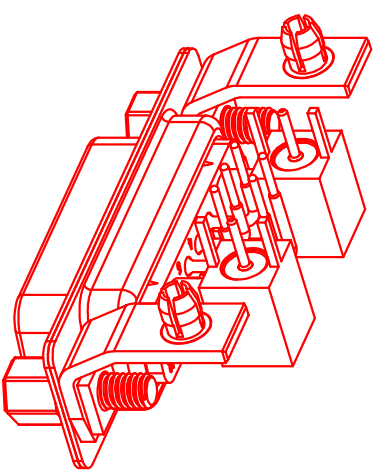
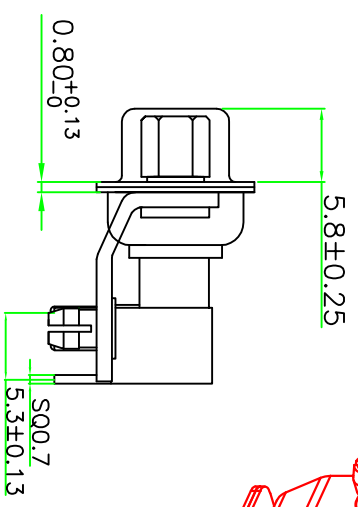
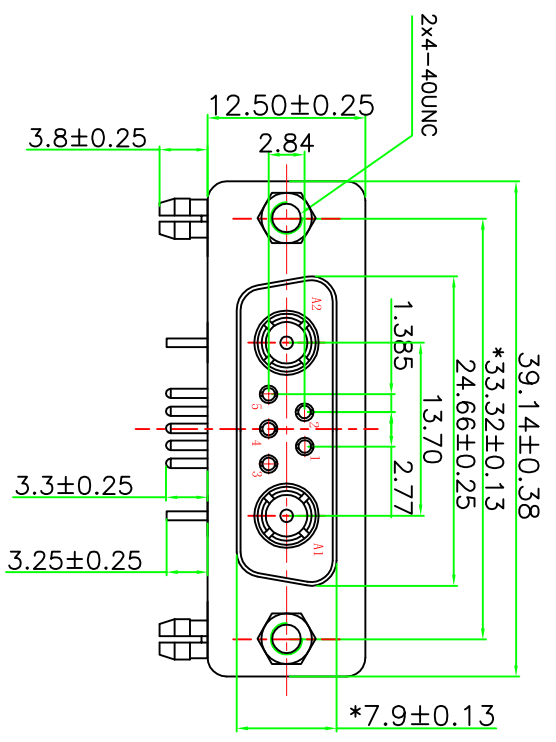


"*" Pivot Dimension

ROHS Component

PO (X)	CURRENT RATING (A)
5	50
7	75



MATERIALS AND FINISH
 SHELL: STEEL OR COPPER ALLOY MATERIAL, Tin/Ni OR Au FINISHED.
 CONNECTOR INSULATOR: PBT THERMOPLASTIC, 30% GLASS FILLED, UL 94V-0 RATED.
 HIGH FREQUENCY CONTACT : COPPER ALLOY MATERIAL, GOLD PLATED.
 CONNECTOR WITH SIGNAL CONTACT MATERIAL: COPPER ALLOY , GOLD PLATED.
 BRACKET /SCREW: COPPER ALLOY MATERIAL, Ni PLATED.
ELECTRICAL CHARACTERISTICS
 HIGH FREQUENCY CONTACT CURRENT RATING: 50 OR 75 OMM.
 THE RADIO FREQUENCY RANGE: 0~3GHz.
 CONNECTOR WITH SIGNAL CONTACT CURRENT RATING : 5.0 AMPS.
 THE WORKING VOLTAGE: 300V.
 HIGH FREQUENCY CONTACT RESISTANCE: 10 MILLIOMHS MAX.
 DIELECTRIC WITHSTANDING VOLTAGE: 1000 V AC FOR 1 MINUTE.
 INSULATION RESISTANCE: 2000 MEGOHMS MIN.
 TEMPERATURE RATING: -55° ~+125° .

东莞市迅颢原精密连接器有限公司
 Dongguan Signalorigin Precision Connector Co., Ltd

TOLERANCE: X ±0.38 X.X ±0.25 X.XX ±0.13 X° ±5° X.X° ±2°	DRAWN BY :	DATE :	PART NAME:
	杨剑玉	2010. 05. 15	7#2 母 射频焊接板式 10.8 支架 嵌4-40UNC*4, 8 螺柱
UNIT: mm [inch] SCALE: 1:1 SIZE: A4	CHECKED BY:	DATE :	MOLD NO.
	侯应文	2010. 05. 15	XH-05-1434
	APPROVED BY: DATE :		REMARK
	胡超 2010. 05. 15		
			DRAW NO.