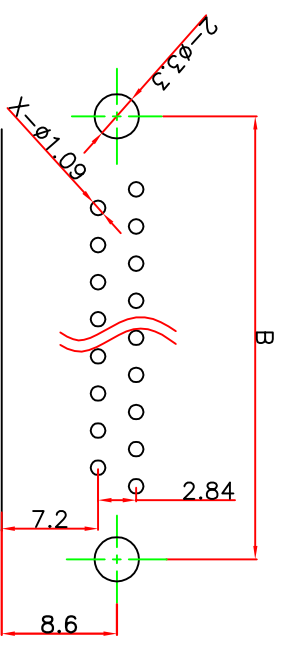
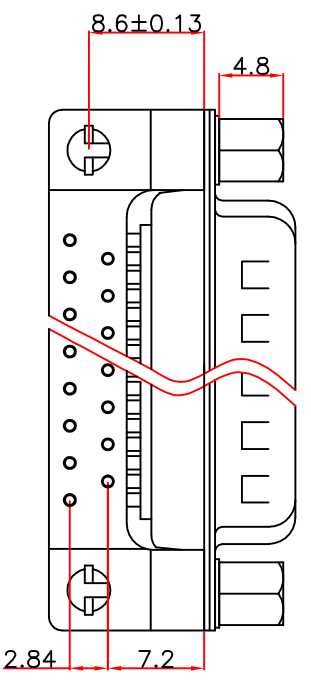
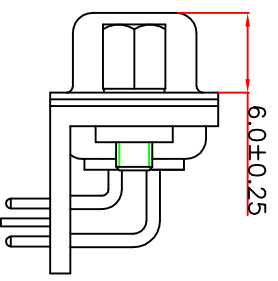
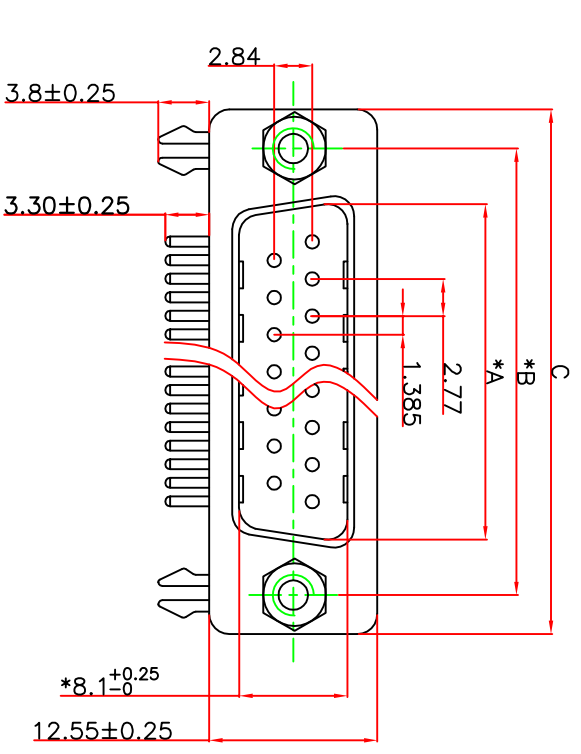


RoHS Component

“*” Pivot Dimension

P0(XXX)	A ±0.25	B ±0.13	C ±0.38	D ±0.25
009	16.92	24.99	30.81	19.28
015	25.25	33.32	39.14	27.51
025	38.98	47.04	53.04	41.28
037	55.42	63.50	69.32	57.71



NOTICE :

- ELECTRICE:
 - DIELECTRIC RATING: 300V
 - CONTACT CURRENT RATING: 5AMP
 - CONTACT RESISTANCE: 15mΩ MAX.
 - INSULATION RESISTANCE: 1000MΩ MIN.at 500V DC
 - DIELECTRIC STRENGTH: 500V AC RMS for 1minute
 - OPERATION TEMPERATURE: -55°C ~125°C
- MATERIAL:
 - INSULATOR: PBT+30% G.F(UL94V-0)
 - CONTACT: COPPER ALLOY
 - CONTACT PLATED: GOLD FLASH OVER NICKEL
 - SHELL: SPCC
 - SHELL PLATED: NICKEL/TIN
 - BRACKET: PBT+30% G.F(UL94V-0)



东莞市讯颢原精密连接器有限公司
Dongguan Signalorigin Precision Connector Co.,Ltd

TOLERANCE: XX ±0.38 XXX ±0.25 XXXX ±0.13 X*.45° X*.45°		DRAWN BY: 杨冬梅 DATE: 2009.08.22		PART NAME: DR XP 公 母 母 板 式 侧 边 接 触 器 支 架 铜 4-40(INC)*4.8 螺 丝 H=7.2	
CHECKED BY: 杨冬梅 DATE: 2009.08.22		APPROVED BY: 胡超 DATE: 2009.08.22		SCALE: 1:1 SIZE: A4	
UNIT: mm [inch] X*.45° X*.45°		APPROVED BY DATE:		REMARK:	
SCALE: 1:1 SIZE: A4		APPROVED BY DATE:		REMARK:	