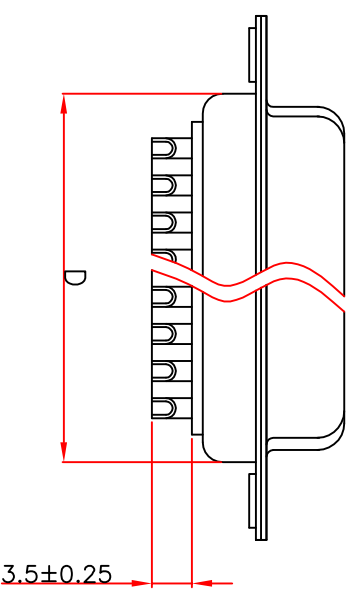
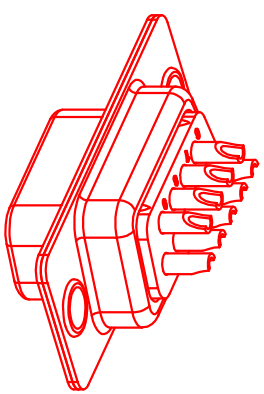
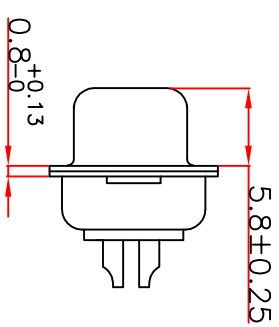
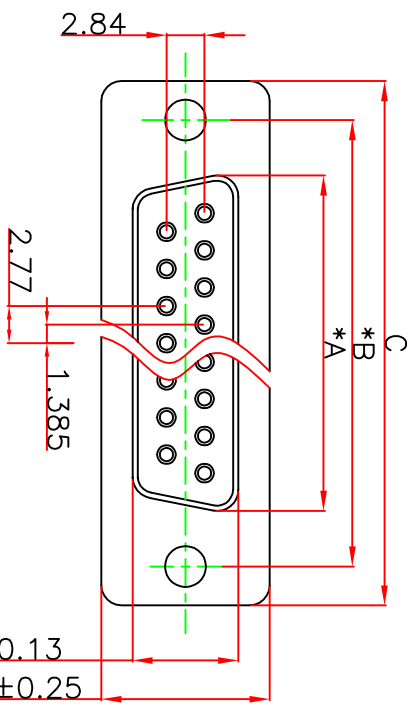


RoHS Component

“\*” Pivot Dimension

P0(XXX)	A ±0.25	B ±0.13	C ±0.38	D ±0.25
009	16.33	24.99	30.81	19.28
015	24.66	33.32	39.14	27.51
025	38.38	47.04	53.04	41.28
037	54.84	63.50	69.32	57.71



NOTICE :

1. ELECTRICE:  
 DIELECTRIC RATING: 300V  
 CONTACT CURRENT RATING: 5AMP  
 CONTACT RESISTANCE: 15mΩ MAX.  
 INSULATION RESISTANCE: 1000MΩ MIN. at 500V DC  
 DIELECTRIC STRENGTH: 500V AC RMS for 1minute  
 OPERATION TEMPERATURE: -55°C ~ 125°C

2. MATERIAL:  
 INSULATOR: PBT+30% G. F (UL94V-0)  
 CONTACT: COPPER ALLOY  
 CONTACT PLATED: GOLD FLASH OVER NICKEL  
 SHELL: SPCC  
 SHELL PLATED: NICKEL/TIN  
 SCREW: COPPER ALLOY/PLATED NICKEL

  
**东莞市迅颢原精密连接器有限公司**  
 Dongguan Signalorigin Precision Connector Co., Ltd

<b>TOLERANCE:</b> XX ±0.38 XXX ±0.25 XXXX ±0.13 X*.45° X*.45° X*.45° X*.45°		<b>DRAWN BY :</b> 杨冬梅 <b>CHECKED BY :</b> 杨冬梅 <b>DATE :</b> 2009.08.22 <b>APPROVED BY :</b> 胡超 <b>DATE :</b> 2009.08.22		<b>PART NAME:</b> DB XP 母 焊线式传统柳合 <b>DRAW NO.:</b> XHY-06-0002 <b>PART NO.:</b> PDBXXXXFH0000009000000000 <b>REMARK:</b> <b>MOLD NO.:</b>	
<b>UNIT:</b> mm [inch] <b>SCALE:</b> 1:1 <b>SIZE:</b> A4					