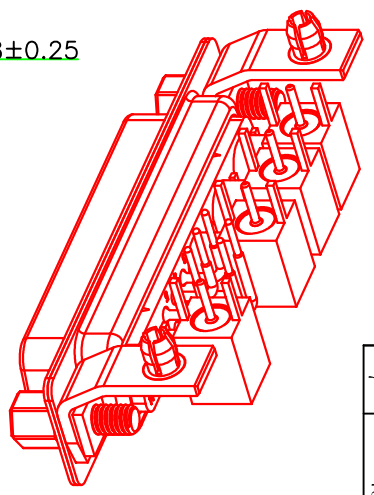
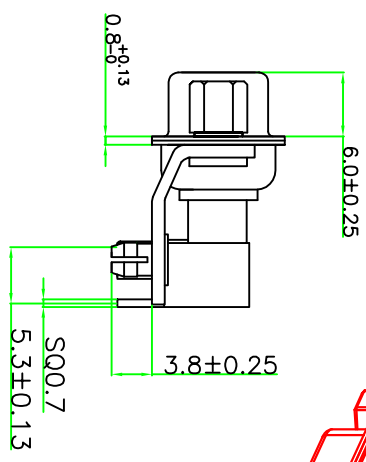
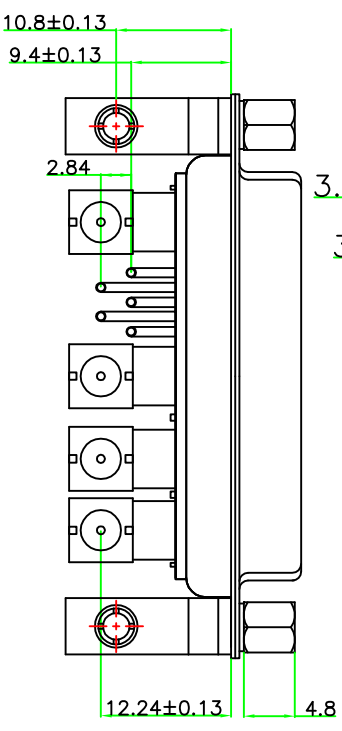
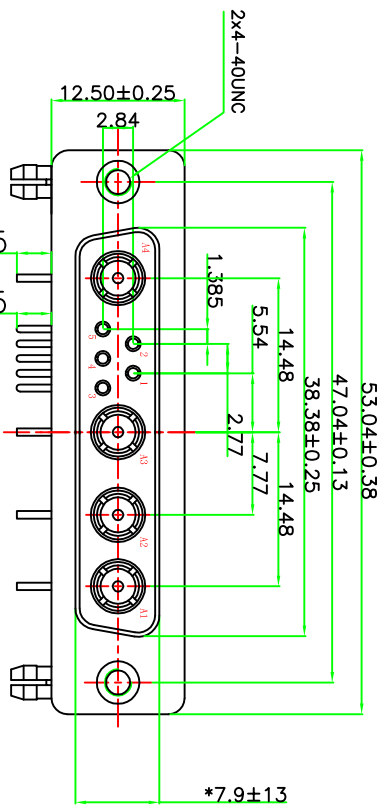


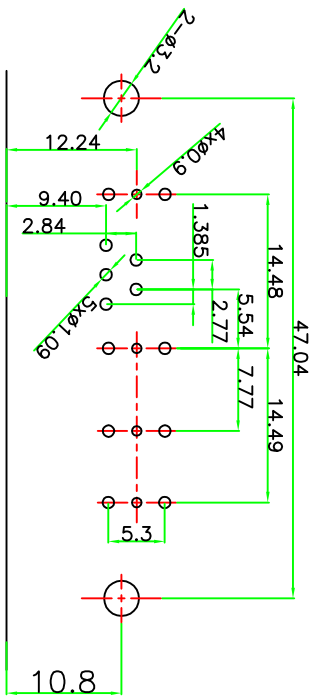
"*" Pivot Dimension

RoHS Component

PO(X)	Characteristic	Impedance(Ω)
5		50
7		75



PCB LAYOUT



MATERIALS AND FINISH
 SHELL: STEEL OR COPPER ALLOY MATERIAL, Tin/Ni OR Au FINISHED.
 CONNECTOR INSULATOR: PBT THERMOPLASTIC, 30% GLASS FILLED, UL 94V-0 RATED.
 HIGH FREQUENCY CONTACT : COPPER ALLOY MATERIAL, GOLD PLATED.
 CONNECTOR WITH SIGNAL CONTACT MATERIAL: COPPER ALLOY , GOLD PLATED.
 BRACKET/SCREW: COPPER ALLOY MATERIAL, Ni PLATED.
ELECTRICAL CHARACTERISTICS
 HIGH FREQUENCY CONTACT CHARACTERISTIC IMPEDANCE: 50 OR 75 OHM.
 THE RADIO FREQUENCY RANGE: 0~3GHz.
 THE CONNECTOR WITH SIGNAL CONTACT CURRENT RATING : 3.0 AMPS.
 THE WORKING VOLTAGE: 300V.
 HIGH FREQUENCY CONTACT RESISTANCE: 10 MILLIOHMS MAX.
 DIELECTRIC WITHSTANDING VOLTAGE: 1000 V AC FOR 1 MINUTE.
 INSULATION RESISTANCE: 2000 MEGAOHMS MIN.
 TEMPERATURE RATING: -55° ~+125° .



东莞市迅颢原精密连接器有限公司
 Dongguan Signatorigin Precision Connector Co., Ltd

TOLERANCE:		DRAWN BY :		DATE :		PART NAME:	
X	±0.38	杨剑玉		2010. 05. 15		9W4 母 射频弯焊板式仰10.8支架	
X.X	±0.25					仰4-40UNC*4.8螺丝	
X.XX	±0.13						
X.X ±.5°	X.X ±.2°						
UNTR: mm [inch]		CHECKED BY:		DATE :		PART NO.	
		侯应文		2010. 05. 15		XHY-05-1832	
SCALE:1:1		APPROVED BY:		DATE :		MOLD NO.	
		胡超		2010. 05. 15		FR09W4FYXH10000XXXX0000	
SIZE: A4		REMARK		DRAW NO.			