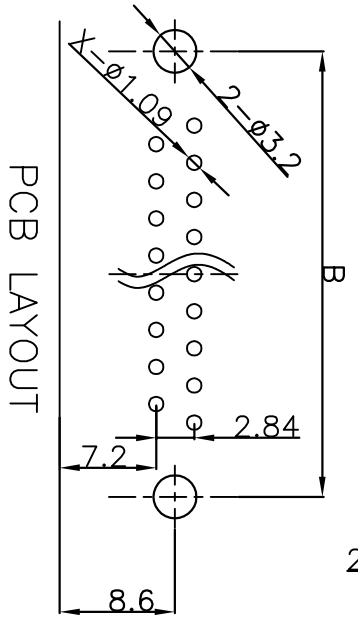
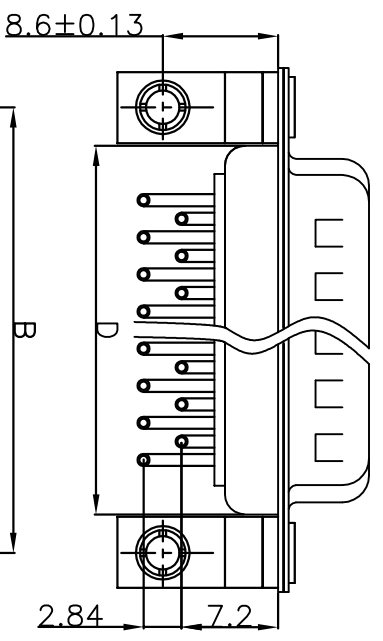
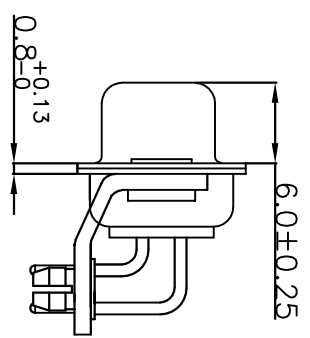
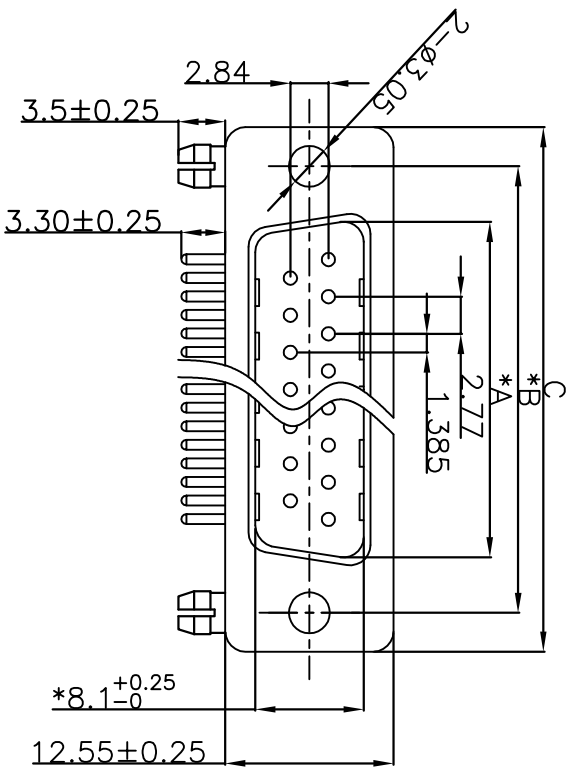


RoHS Component

"*" Pivot Dimension



P0(XXX)	A ±0.25	B ±0.13	C ±0.38	D ±0.25
009	16.92	24.99	30.81	19.28
015	25.25	33.32	39.14	27.51
025	38.98	47.04	53.04	41.28
037	55.42	63.50	69.32	57.71

NOTICE :

1. ELECTRIC:

- DIELECTRIC RATING: 300V
- CONTACT CURRENT RATING: 5AMP
- CONTACT RESISTANCE: 15mΩ MAX.
- INSULATION RESISTANCE: 1000MΩ MIN. at 500V DC
- DIELECTRIC STRENGTH: 500V AC RMS for 1minute
- OPERATION TEMPERATURE: -55°C ~ 125°C

2. MATERIAL:

- INSULATOR: PBT+30% G. F (UL94V-0)
- CONTACT: COPPER ALLOY
- CONTACT PLATED: GOLD FLASH OVER NICKEL
- SHELL: SPCC
- SHELL PLATED: NICKEL/TIN
- BRACKET: COPPER ALLOY PLATED Ni



东莞市迅颢原精密连接器有限公司
Dongguan Signalorigin Precision Connector Co., Ltd

TOLERANCE: XX ±0.38 XXX ±0.25 XXXX ±0.13 X*.45° X*.45°		DRAWN BY: 杨冬梅		DATE: 2009.08.22		PART NAME: DR XP 公 弯弹板式脚8.6支架 H=7.2	
UNIT: mm [inch]		CHECKED BY: 杨冬梅		DATE: 2009.08.22		DRAW NO. XHY-06-0015	
SCALE: 1:1		APPROVED BY: 胡超		DATE: 2009.08.22		REMARK	
						MOLD NO.	