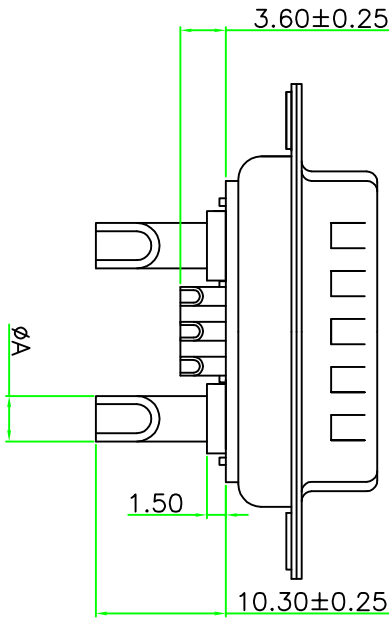
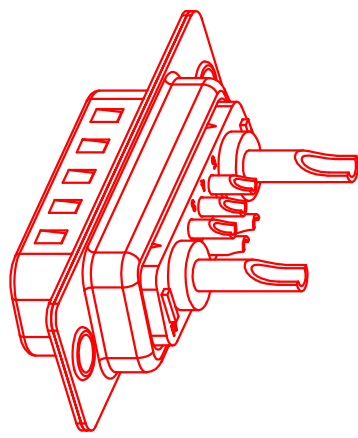
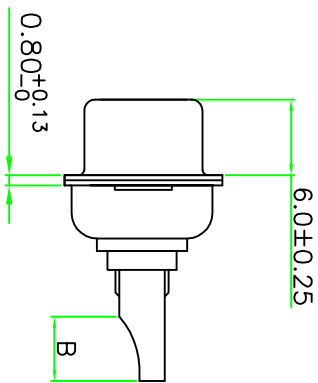
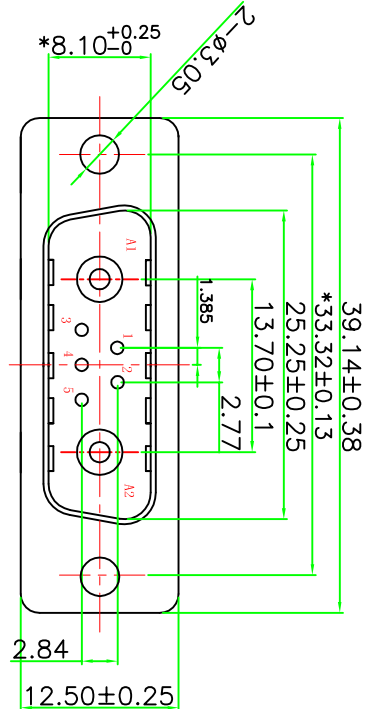


“\*” Pivot Dimension


ROHS Component

P0(X)	A	B	WIRE	CURRENT RATING(A)
1	2.5	4.5	12#	10
2	3.6	5.0	10#	20
3	4.4	5.5	8#	30
4	5.5	5.5	6#	40



**MATERIALS AND FINISH**  
 SHELL: STEEL OR COPPER ALLOY MATERIAL, Tin/Ni OR Au FINISHED.  
 CONNECTOR INSULATOR: PBT THERMOPLASTIC, 30% GLASS FILLED, UL 94V-0 RATED.  
 HIGH POWER CONTACT : COPPER ALLOY MATERIAL, GOLD PLATED.  
 CONNECTOR WITH SIGNAL CONTACT MATERIAL: COPPER ALLOY , GOLD PLATED.  
**ELECTRICAL CHARACTERISTICS**  
 HIGH POWER CONTACT CURRENT RATING: 10, 20, 30 OR 40 AMPS.  
 CONNECTOR WITH SIGNAL CONTACT CURRENT RATING : 3.0 AMPS.  
 THE WORKING VOLTAGE: 300V.  
 HIGH POWER CONTACT RESISTANCE: 2.7 MILLIOMS MAX.  
 DIELECTRIC WITHSTANDING VOLTAGE: 1000 V AC FOR 1 MINUTE.  
 INSULATION RESISTANCE: 2000 MEGAOMHS MIN.  
 TEMPERATURE RATING: -55° ~ +125° .

  
**东莞市讯颢原精密连接器有限公司**  
 Dongguan Signalorigin Precision Connector Co., Ltd

<b>TOLERANCE:</b>		<b>PART NAME:</b>	
X	±0.38	7#2 公 电流焊线式传统聊合	
X.X	±0.25	<b>DRAWN BY :</b>	杨剑玉
X.XX	±0.13	<b>CHECKED BY:</b>	侯应文
X° ±5°	X.X° ±2°	<b>DATE :</b>	2010. 05. 15
		<b>APPROVED BY: DATE :</b>	胡超 2010. 05. 15
<b>UNIT: mm [inch]</b>	<b>SIZE: A4</b>	<b>PART NO.:</b>	XHM-05-1401
<b>SCALE: 1:1</b>		<b>MOLD NO.:</b>	PB07#2#M#H000000XXXXX0000
		<b>REMARK</b>	
		<b>DRAW NO.</b>	