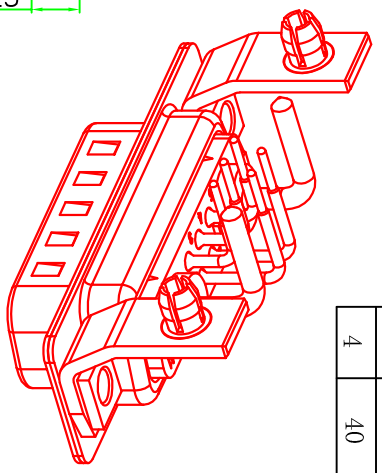
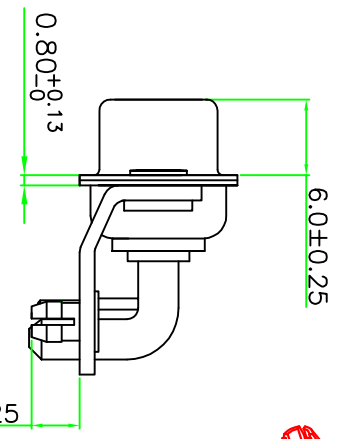
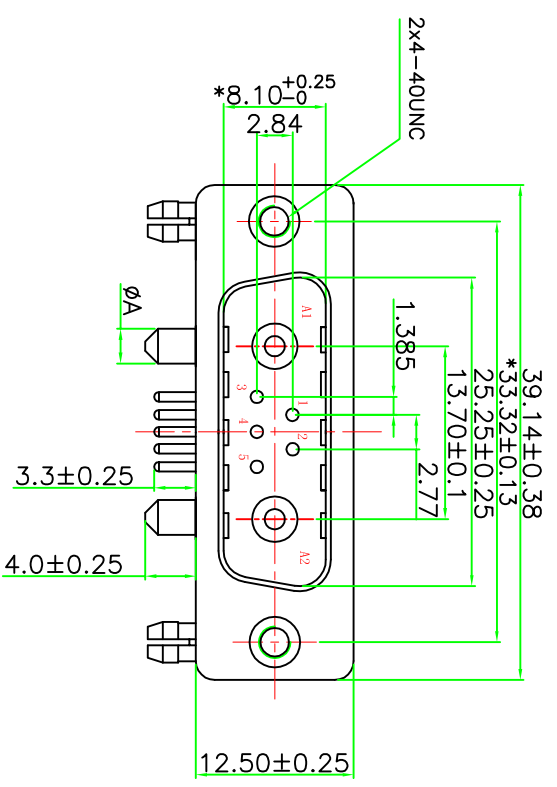
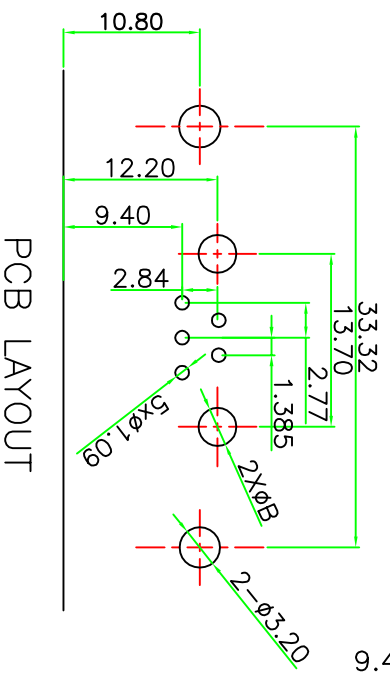
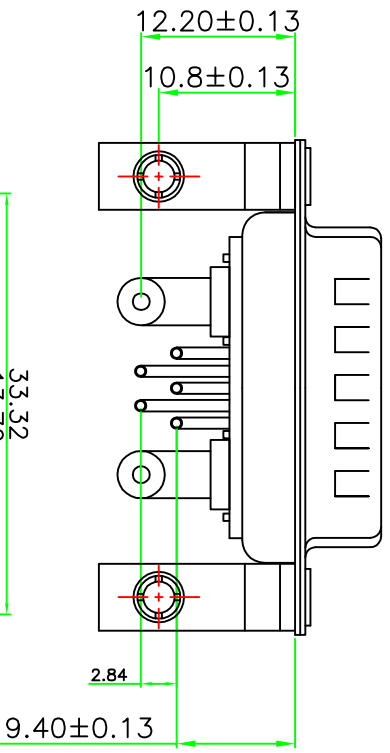


“*” Pivot Dimension

ROHS Component



PO(X)	电流强度(A)	φA	PCB φB
1	10	1.7	2.0
2	20	2.75	3.0
3	30	3.3	3.6
4	40	3.8	4.10



MATERIALS AND FINISH
 SHELL: STEEL OR COPPER ALLOY MATERIAL, Tim/Ni OR Au FINISHED.
 CONNECTOR INSULATOR: PBT THERMOPLASTIC, 30% GLASS FILLED, UL 94V-0 RATED.
 HIGH POWER CONTACT: COPPER ALLOY MATERIAL, GOLD PLATED.
 CONNECTOR WITH SIGNAL CONTACT MATERIAL: COPPER ALLOY, GOLD PLATED.
ELECTRICAL CHARACTERISTICS
 HIGH POWER CONTACT CURRENT RATING: 10, 20, 30 OR 40 AMPS.
 CONNECTOR WITH SIGNAL CONTACT CURRENT RATING: 3.0 AMPS.
 THE WORKING VOLTAGE: 300V.
 HIGH POWER CONTACT RESISTANCE: 2.7 MILLIOHMS MAX.
 DIELECTRIC WITHSTANDING VOLTAGE: 1000 V AC FOR 1 MINUTE.
 INSULATION RESISTANCE: 2000 MEGAOHMS MIN.
 TEMPERATURE RATING: -55° ~ +125° .

东莞市讯源原精密连接器有限公司
 Dongguan Signalorigin Precision Connector Co., Ltd

TOLERANCE:	X	±0.38	DRAWN BY :	杨剑玉	DATE :	2010. 05. 15	PART NAME:	7#2 公 电流弯焊板式铆10.8支架
	X.X	±0.25		CHECKED BY:		侯应文		DATE :
X.XX	±0.13	UNIT: mm [inch]	APPROVED BY: DATE :		胡超	2010. 05. 15	MOLD NO.:	
X° ±5° X.X° ±2°				SCALE: 1:1				SIZE: A4