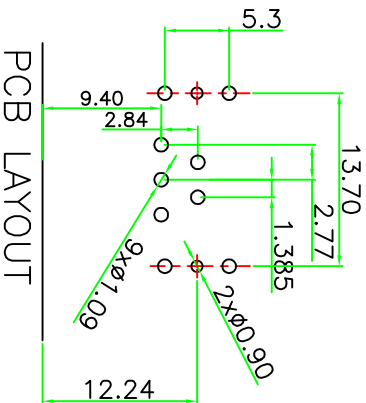
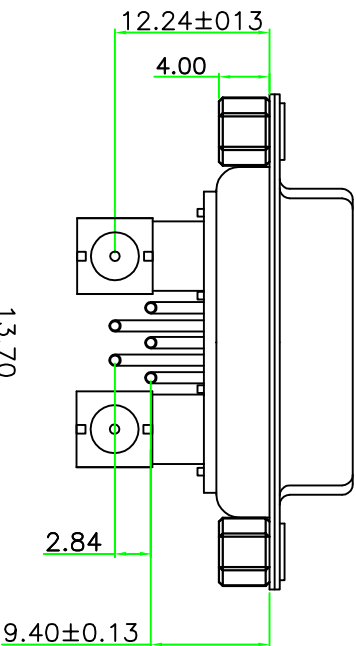
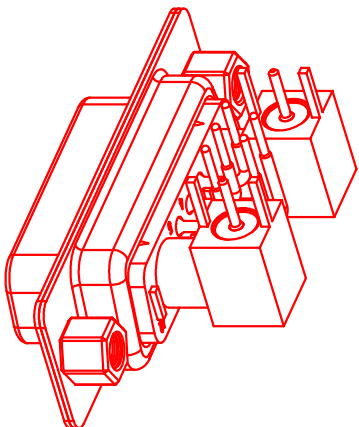
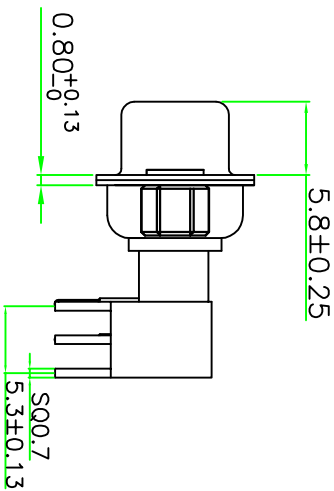
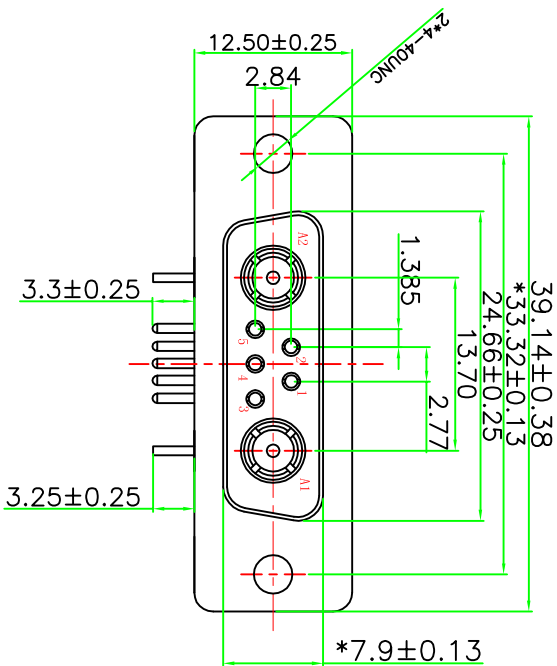


“\*” Pivot Dimension

ROHS Component

P0(X)	Characteristic Impedance (Ω)
5	50
7	75



MATERIALS AND FINISH  
 SHELL: STEEL OR COPPER ALLOY MATERIAL, Tin/Ni OR Au FINISHED.  
 CONNECTOR INSULATOR: PBT THERMOPLASTIC, 30% GLASS FILLED, UL 94V-0 RATED.  
 HIGH FREQUENCY CONTACT : COPPER ALLOY MATERIAL, GOLD PLATED.  
 CONNECTOR WITH SIGNAL CONTACT MATERIAL: COPPER ALLOY , GOLD PLATED.  
 BRACKET/SCREW: COPPER ALLOY MATERIAL, Ni PLATED.  
 ELECTRICAL CHARACTERISTICS  
 HIGH FREQUENCY CONTACT CHARACTERISTIC IMPEDANCE: 50 OR 75 OHM.  
 THE RADIO FREQUENCY RANGE: 0~3GHz.  
 CONNECTOR WITH SIGNAL CONTACT CURRENT RATING : 3.0 AMPS.  
 THE WORKING VOLTAGE: 300V.  
 HIGH FREQUENCY CONTACT RESISTANCE: 10 MILLIOHMS MAX.  
 DIELECTRIC WITHSTANDING VOLTAGE: 1000 V AC FOR 1 MINUTE.  
 INSULATION RESISTANCE: 2000 MEGAOHMS MIN.  
 TEMPERATURE RATING: -55° ~ +125° .

**东莞市迅颢原精密连接器有限公司**  
 Dongguan Signalorigin Precision Connector Co., Ltd

<b>TOLERANCE:</b> X ±0.38 X.X ±0.25 X.XX ±0.13 X.X° ±5° X.X' ±2°	<b>DRAWN BY :</b>	<b>DATE :</b>	<b>PART NAME:</b>
	杨剑玉	2010. 05. 15	TW2 母 射频弯板式 反脚4-40UNC#4, 0字心螺母
UNIT: mm [inch] SCALE: 1:1 SIZE: A4	<b>CHECKED BY:</b>	<b>DATE :</b>	<b>MOLD NO.</b>
	侯应文	2010. 05. 15	XHM-05-1442
	<b>APPROVED BY:</b>	<b>DATE :</b>	<b>REMARK</b>
	胡超	2010. 05. 15	
			<b>DRAW NO.</b>