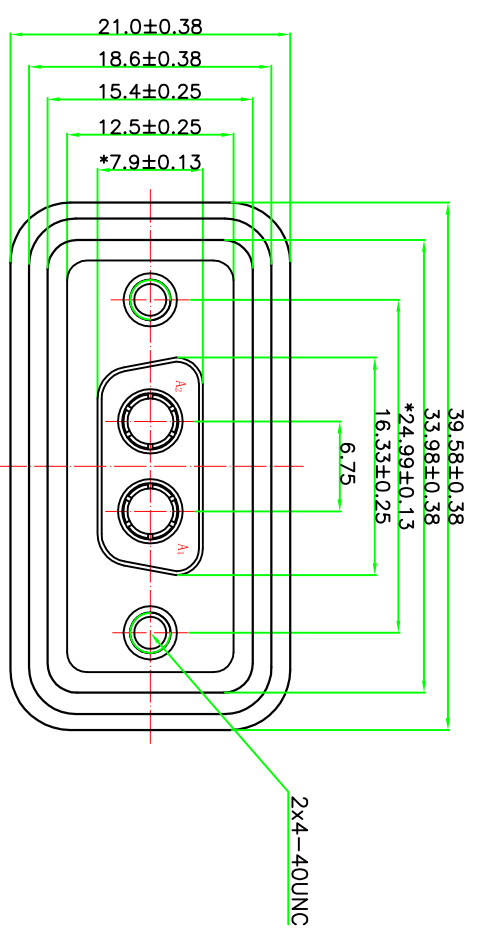
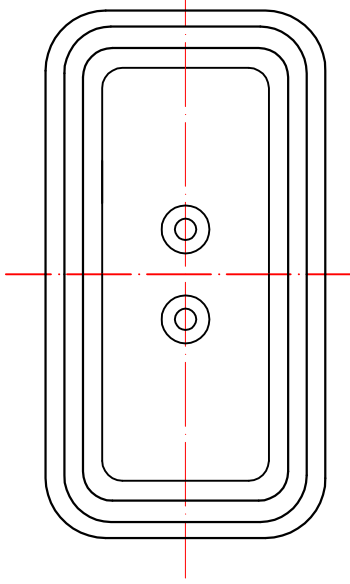
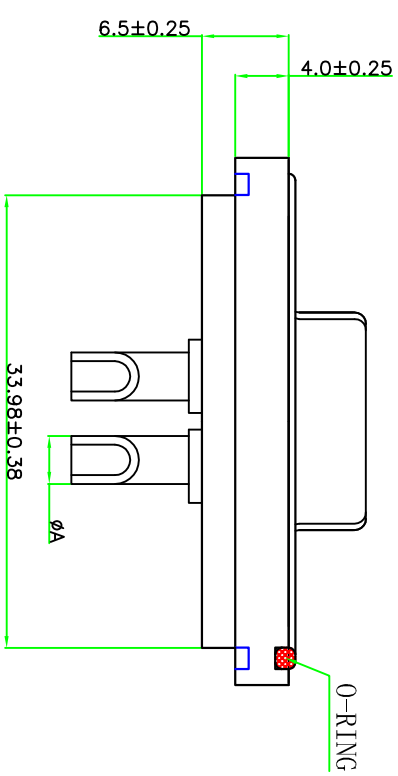
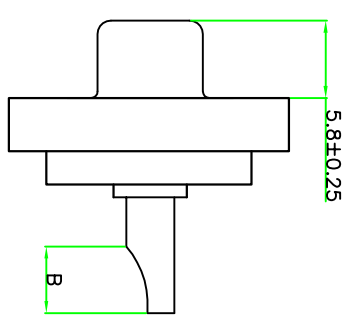


“\*” Pivot Dimension

ROHS Component



PO(X)	A	B	WIRE	CURRENT RATING(A)
1	2.5	4.5	12#	10
2	3.6	5.0	10#	20
3	4.4	5.5	8#	30
4	5.5	5.5	6#	40



**MATERIALS AND FINISH**  
 SHELL: STEEL OR COPPER ALLOY MATERIAL, Tin/Ni OR Au FINISHED.  
 CONNECTOR INSULATOR: PBT THERMOPLASTIC, 30% GLASS FILLED, UL 94V-0 RATED.  
 HIGH POWER CONTACT : COPPER ALLOY MATERIAL, GOLD PLATED.  
**ELECTRICAL CHARACTERISTICS**  
 HIGH POWER CONTACT CURRENT RATING: 10, 20, 30 OR 40 AMPS.  
 THE WORKING VOLTAGE: 300V.  
 HIGH POWER CONTACT RESISTANCE: 2.7 MILLIOHMS MAX.  
 DIELECTRIC WITHSTANDING VOLTAGE: 1000 V AC FOR 1 MINUTE.  
 INSULATION RESISTANCE: 2000 MEGOHMS MIN.  
 TEMPERATURE RATING: -55° ~ +125° .



**东莞市迅颢原精密连接器有限公司**  
 Dongguan Signalorigin Precision Connector Co., Ltd

<b>TOLERANCE:</b> X: ±0.38 XX: ±0.25 XXX: ±0.13 X* ±0° X** ±2°	<b>DRAWN BY:</b> 杨剑玉	<b>DATE:</b> 2010. 05. 15	<b>PART NAME:</b> 防水连接器 2W2 母 电流焊线式传输耦合
	<b>CHECKED BY:</b> 侯应文	<b>DATE:</b> 2010. 05. 15	<b>PART NO.:</b> XHY-05-0450
<b>UNIT:</b> mm [inch] <b>SCALE:</b> 1:1 <b>SIZE:</b> A4	<b>APPROVED BY:</b> 胡超	<b>DATE:</b> 2010. 05. 15	<b>MOLD NO.:</b> PB02W2FYHH000000000000F
			<b>REMARK</b>
			<b>DRAW NO.</b>