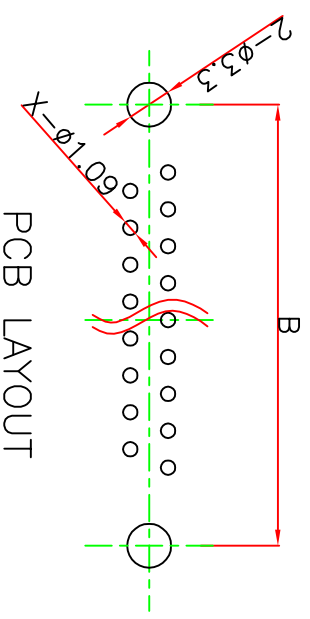
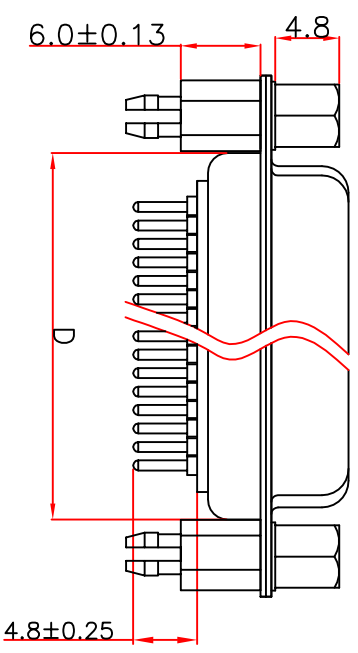
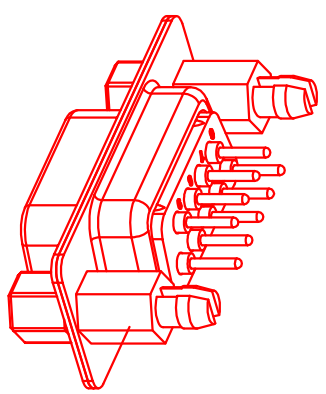
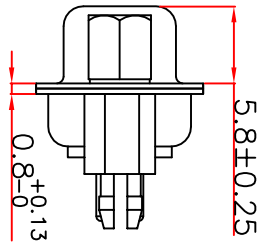
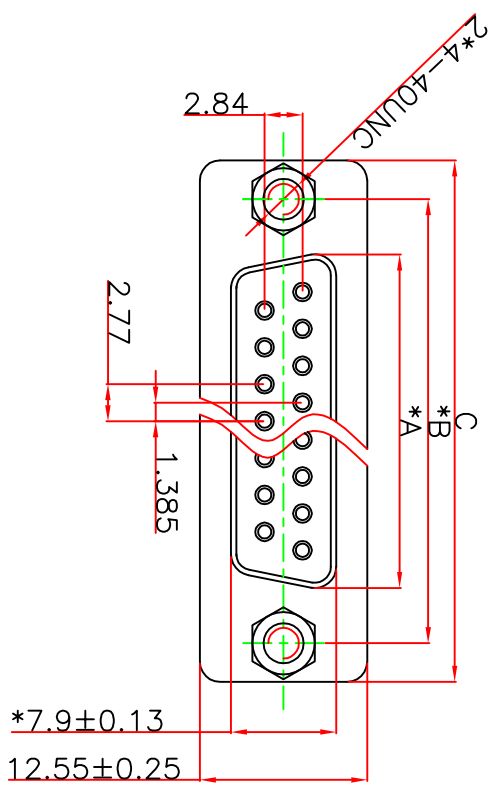


“*” Pivot Dimension

RoHS Component

P0(XXX)	A ±0.25	B ±0.13	C ±0.38	D ±0.25
009	16.33	24.99	30.81	19.28
015	24.66	33.32	39.14	27.51
025	38.38	47.04	53.04	41.28
037	54.94	63.50	69.32	57.71



NOTICE :

- ELECTRICE:
 - DIELECTRIC RATING: 300V
 - CONTACT CURRENT RATING: 5AMP
 - CONTACT RESISTANCE: 15mΩ MAX.
 - INSULATION RESISTANCE: 1000MΩ MIN. at 500V DC
 - DIELECTRIC STRENGTH: 500V AC RMS for 1minute
 - OPERATION TEMPERATURE: -55℃ ~ 125℃
- MATERIAL:
 - INSULATOR: PBT+30% G.F (UL94V-0)
 - CONTACT: COPPER ALLOY
 - CONTACT PLATED: GOLD FLASH OVER NICKEL
 - SHELL: SPCC
 - SHELL PLATED: NICKEL/TIN
 - FORK: COPPER ALLOY/PLATED NICKEL



东莞市迅颢原精密连接器有限公司
Dongguan Signalorigin Precision Connector Co.,Ltd

TOLERANCE: X ±0.40 XX ±0.30 XXX ±0.20 XXXX ±0.10 X* ±5° XX ±2°		DRAWN BY : 杨剑玉 DATE : 2010.05.15 CHECKED BY : 侯应文 DATE : 2010.05.15 APPROVED BY : 胡超 DATE : 2010.05.15		PART NAME: DP XP 母 直焊板式侧6.0鱼叉 镀4-40UNC*4.8螺丝 PART NO.: XHV-06-0034 MOLD NO.: PDPYXXYH2600009000000000	
UNIT: mm [inch] SCALE: 1:1 SIZE: A4	REMARK DRAW NO.				