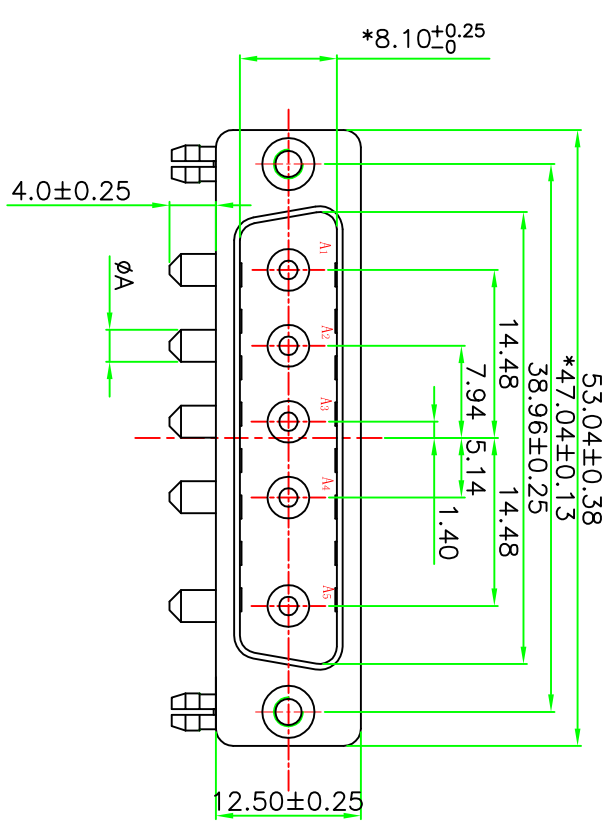
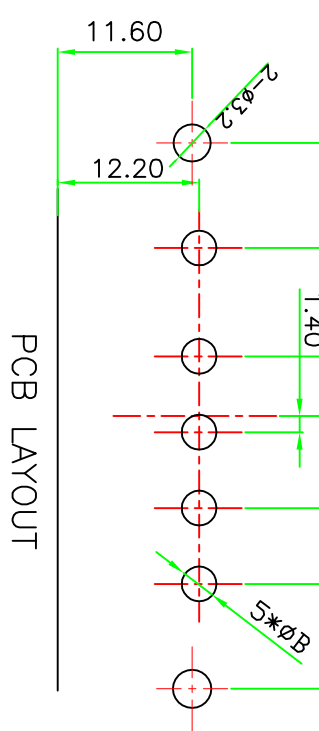
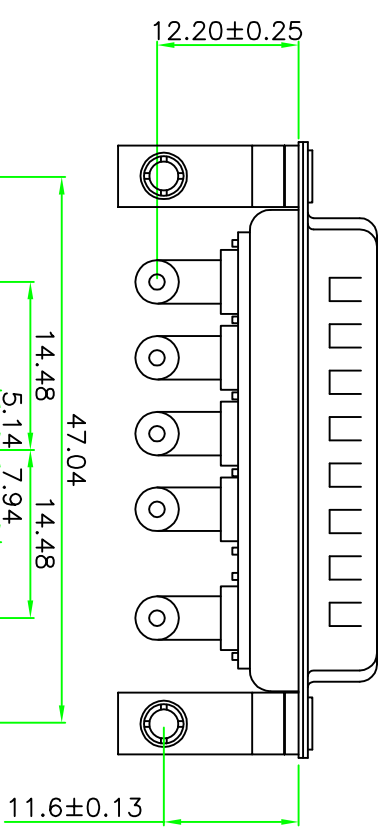
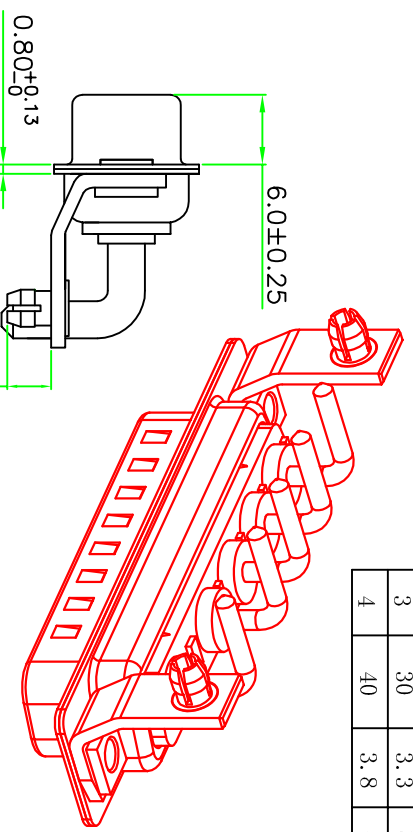


“*” Pivot Dimension

ROHS Component

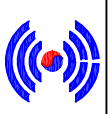


PO(X)	电流额定值 (A)	ØA	PCB ØB
1	10	1.7	2.0
2	20	2.75	3.0
3	30	3.3	3.6
4	40	3.8	4.10



PCB LAYOUT

MATERIALS AND FINISH
 SHELL: STEEL OR COPPER ALLOY MATERIAL, Tin/Ni OR Au FINISHED.
 CONNECTOR INSULATOR: PBT THERMOPLASTIC, 30% GLASS FILLED, UL 94V-0 RATED.
 HIGH POWER CONTACT : COPPER ALLOY MATERIAL, GOLD PLATED.
 BRACKET: COPPER ALLOY MATERIAL, Ni PLATED.
ELECTRICAL CHARACTERISTICS
 HIGH POWER CONTACT CURRENT RATING: 10, 20, 30 OR 40 AMPS.
 THE WORKING VOLTAGE: 300V.
 HIGH POWER CONTACT RESISTANCE: 10 MILLI OHMS MAX.
 DIELECTRIC WITHSTANDING VOLTAGE: 1000 V AC FOR 1 MINUTE.
 INSULATION RESISTANCE: 2000 MEG OHMS MIN.
 TEMPERATURE RATING: -55° ~ +125°.



东莞市迅颢原精密连接器有限公司
 Dongguan Signatorigin Precision Connector Co., Ltd

TOLERANCE:		DRAWN BY :		DATE :		PART NAME:	
X	±0.38	杨剑玉	2010.05.15	5W5 公	电流弯焊板式铆11.6支架		
X.X	±0.25	侯应文	2010.05.15	PART NO.	XHY-05-1027		
X.XX	±0.13	胡超	2010.05.15	MOLD NO.	PRO5W5MNH0400000000000		
X° ±5°	X.X° ±2°	APPROVED BY:	DATE :	REMARK			
UNIT: mm [inch]	SCALE: 1:1	SIZE: A4		DRAW NO.			