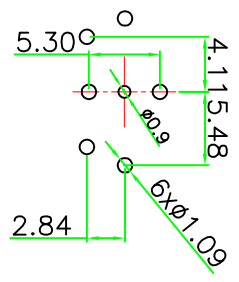
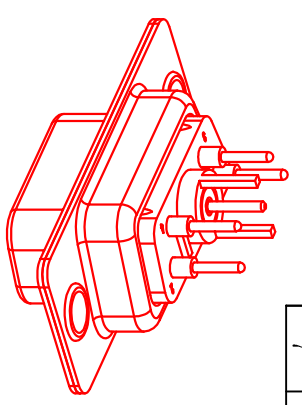
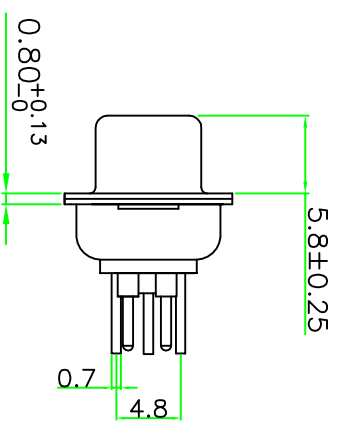
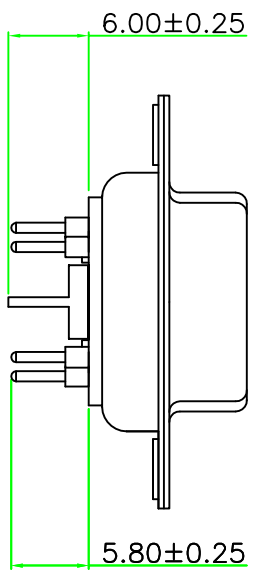
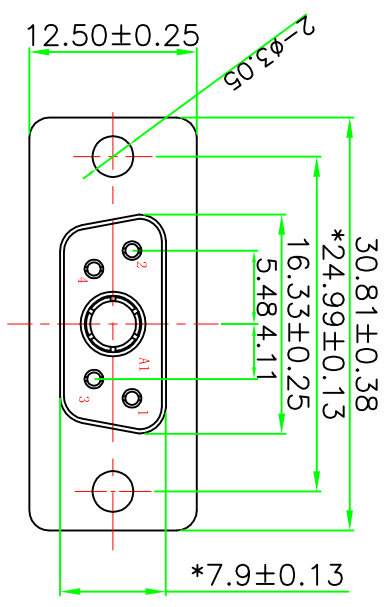


“\*” Pivot Dimension

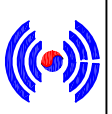
ROHS Component

PO(X)	CURRENT RATING (A)
5	50
7	75



PCB LAYOUT

**MATERIALS AND FINISH**  
 SHELL: STEEL OR COPPER ALLOY MATERIAL, tin/Ni OR Au FINISHED.  
 CONNECTOR INSULATOR: PBT THERMOPLASTIC, 30% GLASS FILLED, UI 94V-0 RATED.  
 HIGH FREQUENCY CONTACT : COPPER ALLOY MATERIAL, GOLD PLATED.  
 CONNECTOR WITH SIGNAL CONTACT MATERIAL: COPPER ALLOY , GOLD PLATED  
**ELECTRICAL CHARACTERISTICS**  
 HIGH FREQUENCY CONTACT CURRENT RATING: 50 OR 75 OHM.  
 THE RADIO FREQUENCY RANGE: 0~3GHz.  
 CONNECTOR WITH SIGNAL CONTACT CURRENT RATING : 3.0 AMPS.  
 THE WORKING VOLTAGE: 300V.  
 HIGH FREQUENCY CONTACT RESISTANCE: 10 MILLIOHMS MAX.  
 DIELECTRIC WITHSTANDING VOLTAGE: 1000 V AC FOR 1 MINUTE.  
 INSULATION RESISTANCE: 2000 MEGAOHMS MIN.  
 TEMPERATURE RATING: -55° ~ +125° .



**东莞市迅颢原精密连接器有限公司**  
 Dongguan Signalorigin Precision Connector Co., Ltd

<b>TOLERANCE:</b>		<b>DRAWN BY :</b>		<b>DATE :</b>		<b>PART NAME:</b>	
X	±0.38	杨剑玉		2010. 05. 15		5W1 母 射频直焊板式传统耦合	
X.X	±0.25	CHECKED BY:		DATE :		PART NO.	
X.XX	±0.13	侯应文		2010. 05. 15		XHV-05-1234	
X° ±6°	X.X° ±2°	APPROVED BY:		DATE :		MOLD NO.	
UNIT: mm [inch]	SCALE: 1:1	胡超		2010. 05. 15		FS05W1FXH100000000000000	
SIZE: A4		REMARK		DRAW NO.			