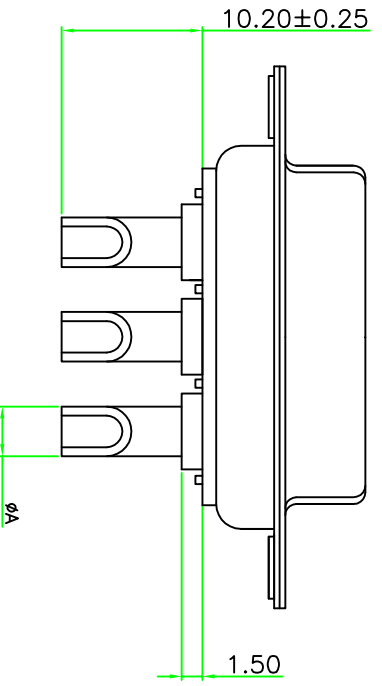
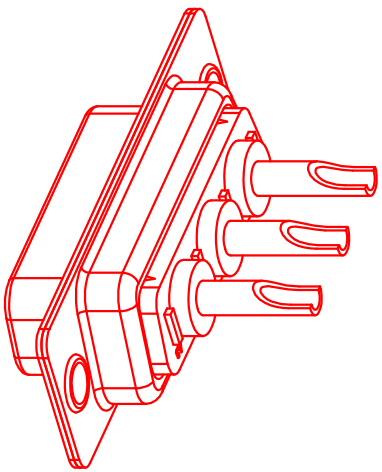
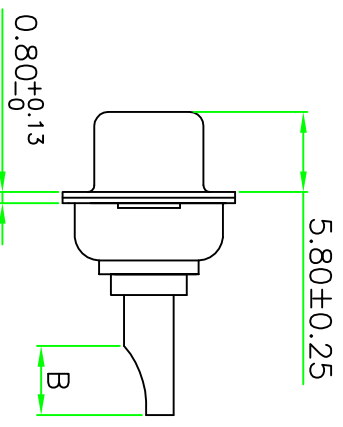
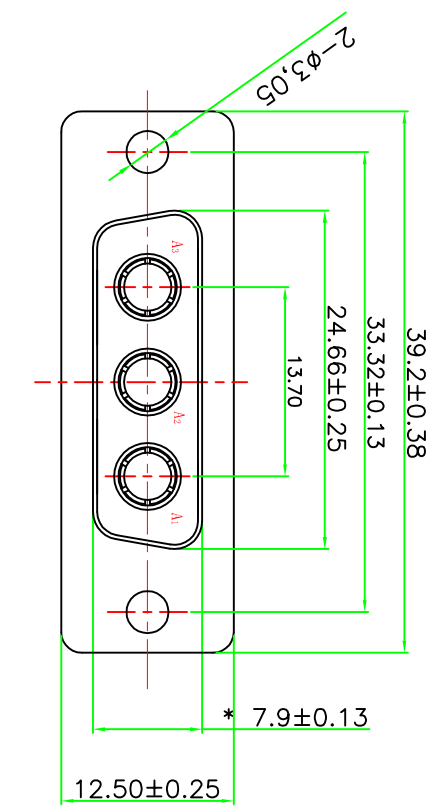


“*” Pivot Dimension

ROHS Component

PO(X)	A	B	WIRE	CURRENT RATING(A)
1	2.5	4.5	12#	10
2	3.6	5.0	10#	20
3	4.4	5.5	8#	30
4	5.5	5.5	6#	40



MATERIALS AND FINISH
 SHELL: STEEL OR COPPER ALLOY MATERIAL, Tin/Ni OR Au FINISHED.
 CONNECTOR INSULATOR: PBT THERMOPLASTIC, 30% GLASS FILLED, UL 94V-0 RATED.
 HIGH POWER CONTACT: COPPER ALLOY MATERIAL, GOLD PLATED.
ELECTRICAL CHARACTERISTICS
 HIGH POWER CONTACT CURRENT RATING: 10, 20, 30 OR 40 AMPS.
 THE WORKING VOLTAGE: 300V.
 HIGH POWER CONTACT RESISTANCE: 2.7 MILLIOHMS MAX.
 DIELECTRIC WITHSTANDING VOLTAGE: 1000 V AC FOR 1 MINUTE.
 INSULATION RESISTANCE: 2000 MEGAOHMS MIN.
 TEMPERATURE RATING: -55° ~ +125° .



东莞市迅颢原精密连接器有限公司
 Dongguan Signalorigin Precision Connector Co., Ltd

TOLERANCE: X ±0.38 X.X ±0.25 X.XX ±0.13 X.±5° X.X°±2°		DRAWN BY : 杨剑玉		DATE : 2010.05.15		PART NAME: 3W3 母 电流焊线式传统耦合	
UNIT: mm [inch]		CHECKED BY : 侯应文		DATE : 2010.05.15		PART NO.: XHY-05-0802	
SCALE: 1:1		APPROVED BY : 胡超		DATE : 2010.05.15		MOLD NO.: PB03W3FX1000000000000000	
SIZE: A4		REMARK		DRAW NO.			