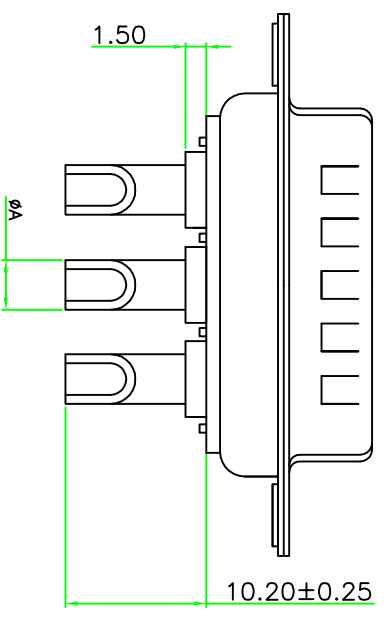
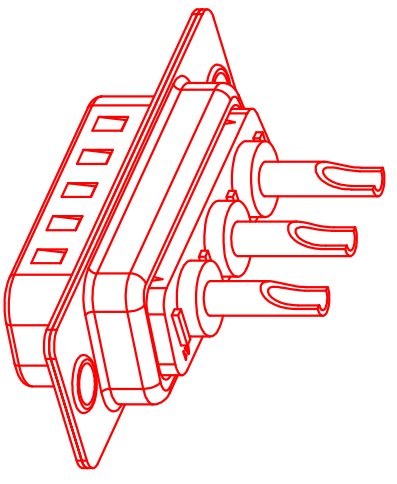
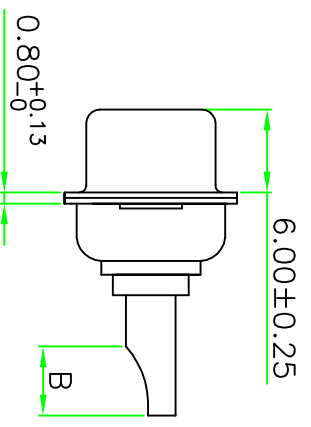
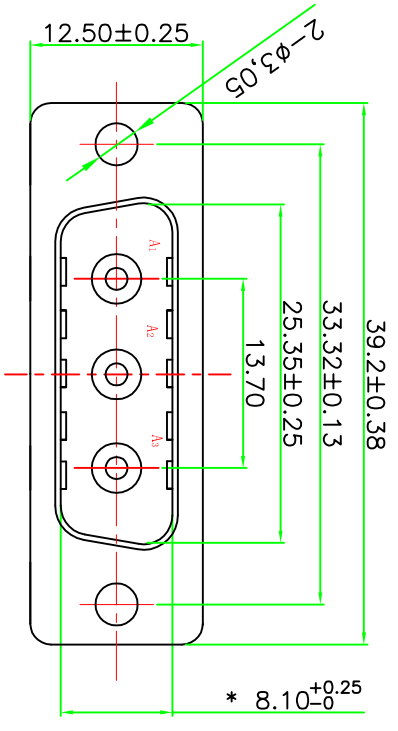


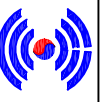
“\*” Pivot Dimension

ROHS Component

PO(X)	A	B	WIRE	CURRENT RATING(A)
1	2.5	4.5	14#~16#	10
2	3.6	5.0	10#~12#	20
3	4.4	5.5	8#~10#	30
4	5.5	5.5	6#~8#	40



**MATERIALS AND FINISH**  
 SHELL: STEEL OR COPPER ALLOY MATERIAL, Tin/Ni OR Au FINISHED.  
 CONNECTOR INSULATOR: PBT THERMOPLASTIC, 30% GLASS FILLED, UL 94V-0 RATED.  
 HIGH POWER CONTACT: COPPER ALLOY MATERIAL, GOLD PLATED.  
**ELECTRICAL CHARACTERISTICS**  
 HIGH POWER CONTACT CURRENT RATING: 10, 20, 30 OR 40 AMPS.  
 THE WORKING VOLTAGE: 300V.  
 HIGH POWER CONTACT RESISTANCE: 2.7 MILLIOMHS MAX.  
 DIELECTRIC WITHSTANDING VOLTAGE: 1000 V AC FOR 1 MINUTE.  
 INSULATION RESISTANCE: 2000 MEGAOHMS MIN.  
 TEMPERATURE RATING: -55° ~ +125° .



**东莞市迅颢原精密连接器有限公司**  
 Dongguan Signalorigin Precision Connector Co., Ltd

<b>TOLERANCE:</b>		<b>DRAWN BY :</b>		<b>DATE :</b>		<b>PART NAME:</b>	
X	±0.38	杨剑玉	2010.05.15	3W3 公		电流焊线式传统铆合	
X.X	±0.25	侯应文	2010.05.15	MOLD NO.		PB03W3MXMH0000000000000	
X.XX	±0.13	胡超	2010.05.15	PART NO.		XHY-05-0801	
X.±5°	X.X±2°	APPROVED BY:	DATE :	REMARK			
UNIT: mm [inch]		胡超	2010.05.15	DRAW NO.			
SCALE: 1:1		SIZE: A4					