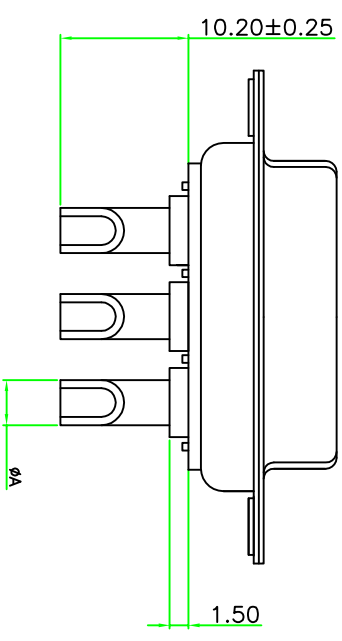
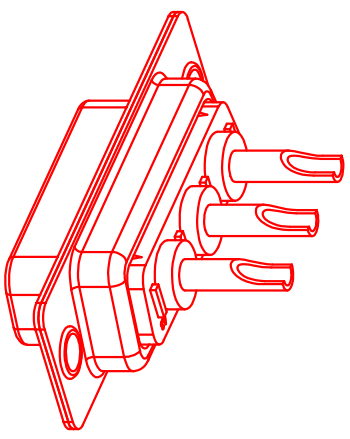
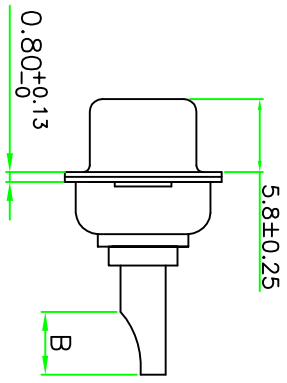
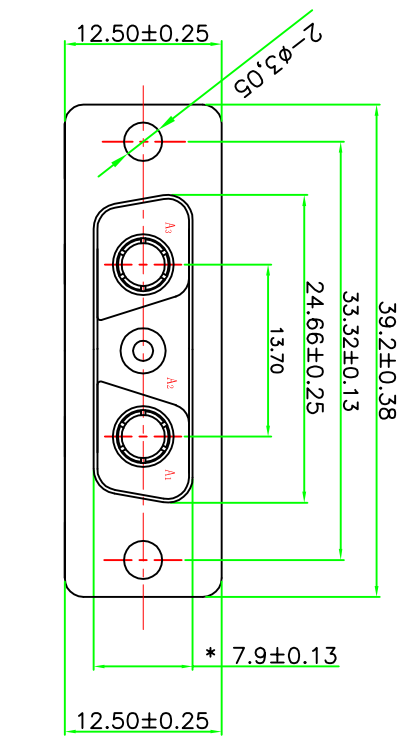


“*” Pivot Dimension

ROHS Component

PO(X)	A	B	WIRE	CURRENT RATING(A)
1	2.5	4.5	14# 16#	10
2	3.6	5.0	10# 12#	20
3	4.4	5.5	8# 10#	30
4	5.5	5.5	6# 8#	40



MATERIALS AND FINISH
 SHELL: STEEL OR COPPER ALLOY MATERIAL, Tin/Ni OR Au FINISHED.
 CONNECTOR INSULATOR: PBT THERMOPLASTIC, 30% GLASS FILLED, UL 94V-0 RATED.
 HIGH POWER CONTACT : COPPER ALLOY MATERIAL, GOLD PLATED.
ELECTRICAL CHARACTERISTICS
 HIGH POWER CONTACT CURRENT RATING: 10, 20, 30 OR 40 AMPS.
 THE WORKING VOLTAGE: 300V.
 HIGH POWER CONTACT RESISTANCE: 2.7 MILLIOHMS MAX.
 DIELECTRIC WITHSTANDING VOLTAGE: 1000 V AC FOR 1 MINUTE.
 INSULATION RESISTANCE: 2000 MEGAOHMS MIN.
 TEMPERATURE RATING: -55° ~ +125° .



东莞市迅颢原精密连接器有限公司
 Dongguan Signalorigin Precision Connector Co., Ltd

TOLERANCE:		DRAWN BY :		DATE :		PART NAME:	
X	±0.38	杨剑玉	2010.05.15	3V3 母 电流焊线式传统耦合			
X.X	±0.25	侯应文	2010.05.15	MOLD NO.		PB03V3FXH0000000000000	
X.XX	±0.13	胡超	2010.05.15	PART NO.		XH-05-0602	
X° ±5°	X.X° ±2°	APPROVED BY:	DATE:	REMARK			
UNIT: mm [inch]	SCALE: 1:1	SIZE: A4		DRAW NO.			