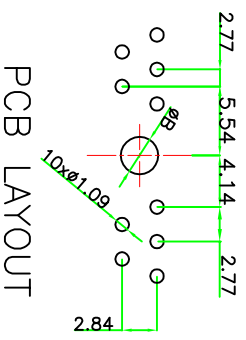
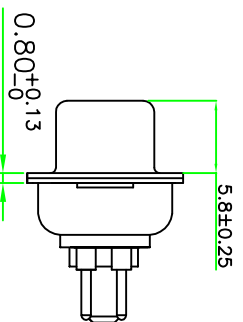
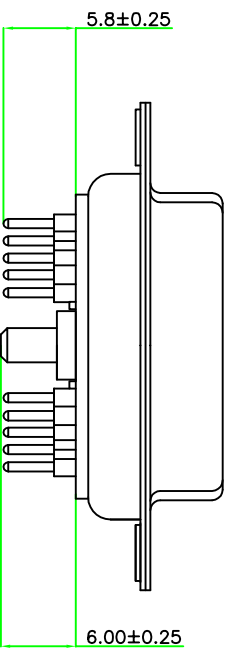
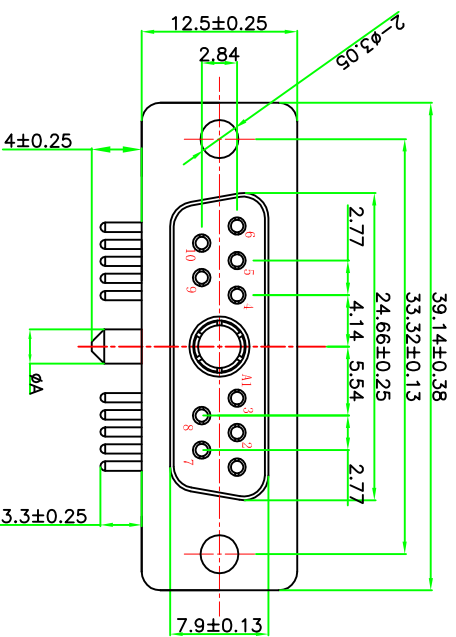
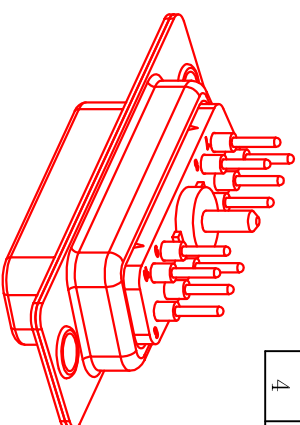


“*” Pivot Dimension

ROHS Component

PO(X)	电流强度(I)	∅A	PCB ∅B
1	10	1.7	2.0
2	20	2.75	3.0
3	30	3.3	3.6
4	40	3.8	4.10



MATERIALS AND FINISH

SHELL: STEEL OR COPPER ALLOY MATERIAL, Ti/P/Ni OR Au FINISHED.
CONNECTOR INSULATOR: PBT THERMOPLASTIC, 30% GLASS FILLED, UL 94V-0 RATED.
HIGH POWER CONTACT : COPPER ALLOY MATERIAL, GOLD PLATED.
CONNECTOR WITH SIGNAL CONTACT MATERIAL: COPPER ALLOY , GOLD PLATED.
ELECTRICAL CHARACTERISTICS
HIGH POWER CONTACT CURRENT RATING: 10, 20, 30 OR 40 AMPS.
CONNECTOR WITH SIGNAL CONTACT CURRENT RATING : 3.0 AMPS.
THE WORKING VOLTAGE: 300V.
HIGH POWER CONTACT RESISTANCE: 2.7 MILLIOMHS MAX.
DIELECTRIC WITHSTANDING VOLTAGE: 1000 V AC FOR 1 MINUTE.
INSULATION RESISTANCE: 2000 MEGOHMS MIN.
TEMPERATURE RATING: -55° ~ +125° .



东莞市讯颢原精密连接器有限公司
Dongguan Signalorigin Precision Connector Co., Ltd

TOLERANCE: X. ±0.38 X.X ±0.25 X.XX ±0.13 X° ±8° X.X° ±2°	DRAWN BY : 杨剑玉	DATE : 2010. 05. 15	PART NAME: 11W 母 电流互穿板式传统耦合
UNIT: mm [inch] SCALE: 1:1	APPROVED BY: 胡超	DATE : 2010. 05. 15	REMARK / DRAW NO.:
SIZE: A4			