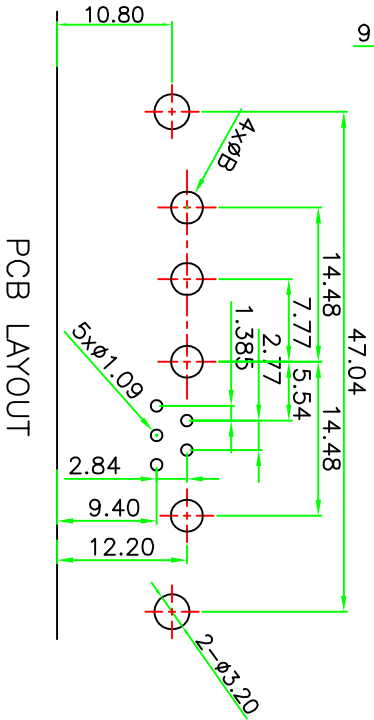
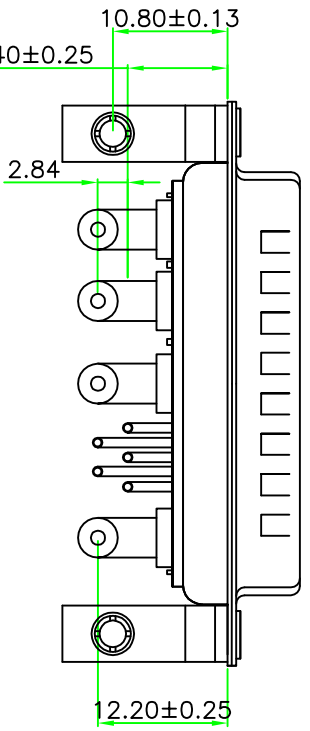
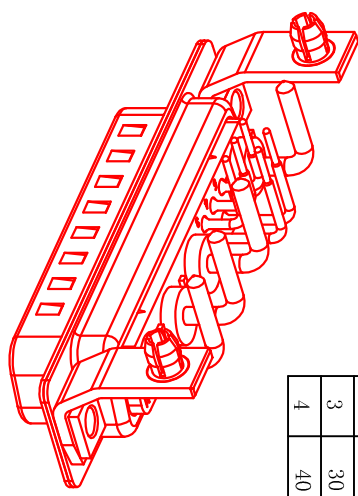
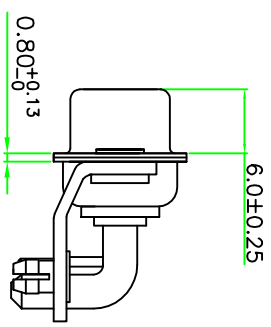
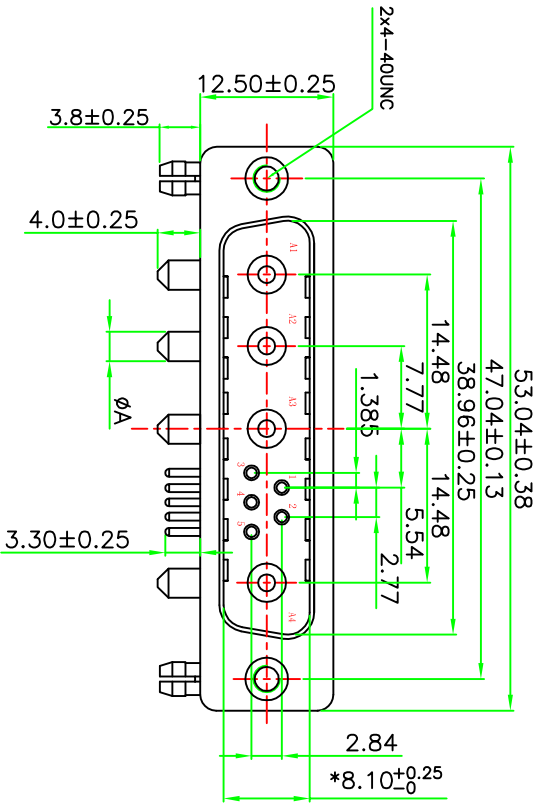


“*” Pivot Dimension

ROHS Component

PO(X)	电流强度(A)	∅A	PCB ∅B
1	10	1.7	2.0
2	20	2.75	3.0
3	30	3.3	3.6
4	40	3.8	4.10



MATERIALS AND FINISH
 SHELL: STEEL OR COPPER ALLOY MATERIAL, Tin/Ni OR Au FINISHED.
 CONNECTOR INSULATOR: PBT THERMOPLASTIC, 30% GLASS FILLED, UL 94V-0 RATED.
 HIGH POWER CONTACT : COPPER ALLOY MATERIAL, GOLD PLATED.
 CONNECTOR WITH SIGNAL CONTACT MATERIAL: COPPER ALLOY , GOLD PLATED.
 BRACKET: COPPER ALLOY MATERIAL, Ni PLATED.
 ELECTRICAL CHARACTERISTICS
 HIGH POWER CONTACT CURRENT RATING: 10, 20, 30 OR 40 AMPS.
 CONNECTOR WITH SIGNAL CONTACT CURRENT RATING : 3.0 AMPS.
 THE WORKING VOLTAGE: 300V.
 HIGH POWER CONTACT RESISTANCE: 2.7 MILLIOHMS MAX.
 DIELECTRIC WITHSTANDING VOLTAGE: 1000 V AC FOR 1 MINUTE.
 INSULATION RESISTANCE: 2000 MEGAOHMS MIN.
 TEMPERATURE RATING: -55° ~ +125° .



东莞市迅颢原精密连接器有限公司
 Dongguan Signalorigin Precision Connector Co., Ltd

TOLERANCE:		DRAWN BY :		DATE :		PART NAME:	
X	±0.38	杨剑玉		2010. 05. 15		9W4 公	电流弯焊板式柳10. 8支架
X.X	±0.25						
X.XX	±0.13						
X.X ±5°	X.X ±2°	CHECKED BY:	DATE :	PART NO.	MOLD NO.	REMARK	
		侯应文	2010. 05. 15	XHY-05-1821	PR09W4MXH0900000000000		
UNIT: mm [inch]	SCALE: 1:1	APPROVED BY:	DATE :	DRAW NO.			
		胡超	2010. 05. 15				