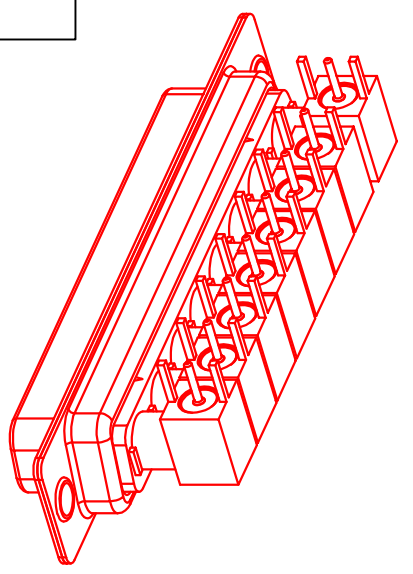
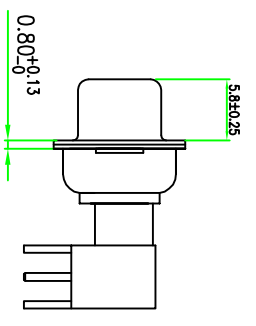
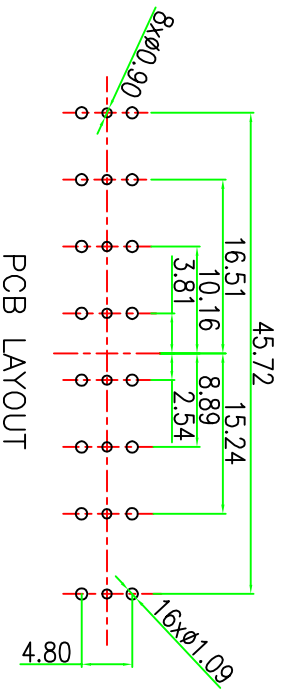
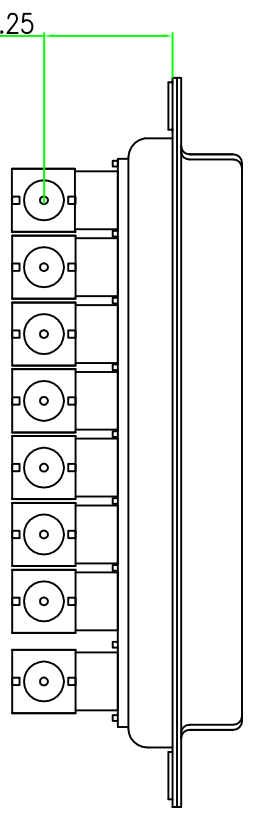
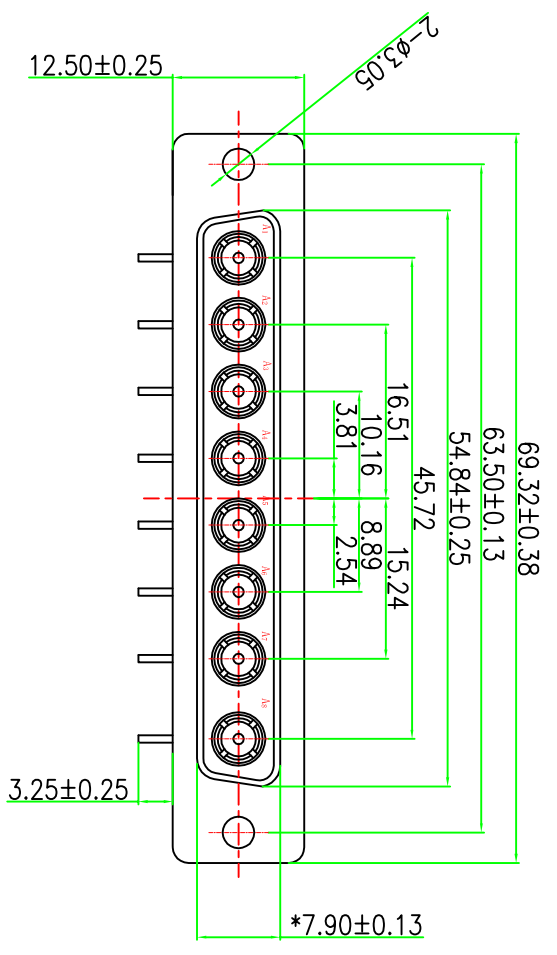


"*" Pivot Dimension

ROHS Component

PO(X)	TERMINATING (Ω)
5	50
7	75



MATERIALS AND FINISH
 SHELL: STEEL OR COPPER ALLOY MATERIAL, Ti/P/Ni OR Au FINISHED.
 CONNECTOR INSULATOR: PBT THERMOPLASTIC, 30% GLASS FILLED, UL 94V-0 RATED.
 HIGH FREQUENCY CONTACT : COPPER ALLOY MATERIAL, GOLD PLATED.
 ELECTRICAL CHARACTERISTICS
 HIGH FREQUENCY CONTACT CURRENT RATING: 50 OR 75 OHM.
 THE RADIO FREQUENCY RANGE: 0~3GHz.
 THE WORKING VOLTAGE: 300V.
 HIGH FREQUENCY CONTACT RESISTANCE: 10 MILLIOHMS MAX.
 DIELECTRIC WITHSTANDING VOLTAGE: 1000 V AC FOR 1 MINUTE.
 INSULATION RESISTANCE: 2000 MEGOHMS MIN.
 TEMPERATURE RATING: -55° ~+125° .

东莞市迅颢原精密连接器有限公司
 Dongguan Signalorigin Precision Connector Co., Ltd

TOLERANCE: X ±0.38 X.X ±0.25 X.XX ±0.13 X° ±5° X.X° ±2°	DRAWN BY : 杨剑玉	DATE : 2010. 05. 15	PART NAME: 8W8 母 射频弯板板式传统聊合
UNIT: mm [inch] SCALE: 1:1 SIZE: A4	APPROVED BY: 胡超	DATE : 2010. 05. 15	REMARK DRAW NO.